





## Vehicle Service and Support Programs that Provide Remarkable Lifecycle Value

 <p><b>Vehicle Health Reports</b> Performed at each scheduled maintenance cycle, this report provides operational data that helps maximize a lower cost of ownership</p>	 <p><b>24/60K Covered Maintenance</b> This program provides scheduled maintenance at no cost for up to 24 months or 60,000 miles, whichever comes first.</p>
 <p><b>PSMP</b> Continuing maintenance program that promotes maximum vehicle uptime</p>	 <p><b>Isuzu Financing</b> Competitive leasing and financing options for your budget needs</p>

## Isuzu features are designed to make the driver more comfortable and improve efficiency while enhancing productivity.

 <p>Standard Interior Seats Shown</p>	 <p>Optional Seat Covers Shown</p>	 <p>Crew Cab Has 7-Passenger Capacity With 4-Across Seating In Back</p>	
 <p>Optional Air Deflector</p>	 <p>Optional Vertical Exhaust</p>	 <p>Optional Bluetooth Radio</p>	
 <p>Optional Locking DEF Cap</p>	 <p>Optional Additional Fuel Tank</p>	 <p>Microphone Included With Optional Bluetooth Radio</p>	 <p>Optional Heated Remote Control Mirrors</p>

For additional information on Isuzu's full line of Low Cab Forward trucks please visit [www.isuzucv.com](http://www.isuzucv.com) or call **(866) 441-9638**

All photographs, illustrations, equipment and technical data in this brochure are based on the latest information available at the time of publication. Isuzu Commercial Truck of America, Inc. reserves the right to make changes at any time, without notice, in prices, colors, materials, equipment, specifications and models, and to discontinue models or equipment. Isuzu vehicles are assembled from component parts manufactured by Isuzu Motors Limited, its affiliated companies, and by independent suppliers who manufacture such components to Isuzu's exacting standards for quality, performance and safety. Some vehicles are shown with optional equipment. Some equipment is dealer installed. Visit your authorized Isuzu dealer for warranty and other details. NPR, NPR-HD, NPR-XD, NQR, and NRR are trademarks of Isuzu Motors Limited. Truck bodies represented herein are products of Supreme Corporation, M.H.Eby, Inc., Morgan Corporation, The Reading Group LLC, Tymco, Inc., Switch N Go a division of Deist Industries, Inc., Aero Tech Manufacturing, Inc., Thermo King, and New Way Refuse Trucks a product of Scranton Manufacturing Company. Facebook is a registered trademark of Facebook, Inc. Instagram is a registered trademark of Instagram, LLC. Twitter is a registered trademark of Twitter, Inc. LinkedIn is a registered trademark of LinkedIn Corporation. Google+ is a registered trademark of Google, Inc. Isuzu is not sponsored by or affiliated with these platforms.



Copyright © 2016 Isuzu Commercial Truck of America, Inc. TM10202 (3/16)



# SERIES



# GAS



## N-SERIES GAS

**The Gas Low Cab Forward in the Medium Duty Market**

### Standard Cab:

Body choices 10 ft. to 20 ft.\*  
GVWRs 12,000 lbs. to 14,500 lbs.  
Wheelbases 109.0 in. to 176.0 in.

### Crew Cab: Seating for Seven

Body choices 12 ft. to 16 ft.\*  
GVWRs 12,000 lbs. to 14,500 lbs.  
Wheelbases 150.0 in. to 176.0 in.

**Easy to Drive:** Outstanding driver visibility and maneuverability that provides an exceptional driving experience



## Gas Choices

297hp 6.0L with CNG/LPG Capability



**ISUZU NPR**  
Gas or CNG/LPG Capable  
12,000 lb. GVWR  
Body of your choice  
up to 20 ft.\*

**ISUZU NPR HD**  
Gas or CNG/LPG Capable  
14,500 lb. GVWR  
Body of your choice  
up to 20 ft.\*

**ISUZU NPR**  
**CREW CAB**  
Gas or CNG/LPG Capable  
12,000 lb. GVWR  
Body of your choice  
up to 16 ft.\*

**ISUZU NPR HD**  
**CREW CAB**  
Gas or CNG/LPG Capable  
14,500 lb. GVWR  
Body of your choice  
up to 16 ft.\*

\* Wheelbase dimension determines maximum body length

# NEW



ISUZU **NPR**    ISUZU **NPR HD**    ISUZU **NPR XD**    ISUZU **NQR**

150 hp. 3.0L  
13,000 lb. GVWR  
Body of your choice  
up to 20 ft.\*

215 hp. 5.2L  
14,500 lb. GVWR  
Body of your choice  
up to 20 ft.\*

215 hp. 5.2L  
16,000 lb. GVWR  
Body of your choice  
up to 20 ft.\*

215 hp. 5.2L  
17,950 lb. GVWR  
Body of your choice  
up to 22 ft.\*

ISUZU **NRR**    ISUZU **NPR HD**    ISUZU **NPR XD**    ISUZU **NQR**

215 hp. 5.2L  
19,500 lb. GVWR  
Body of your choice  
up to 24 ft.\*

215 hp. 5.2L  
14,500 lb. GVWR  
Body of your choice  
up to 16 ft.\*

215 hp. 5.2L  
16,000 lb. GVWR  
Body of your choice  
up to 16 ft.\*

215 hp. 5.2L  
17,950 lb. GVWR  
Body of your choice  
up to 16 ft.\*

**CREW CAB**

## N-SERIES DIESEL 13,000 lbs. GVWR - 19,500 lbs. GVWR

### Standard Cab:

Body choices 10 ft. to 24 ft.\*  
GVWRs 13,000 lbs. to 19,500 lbs.  
Wheelbases 109.0 in. to 212.0 in.

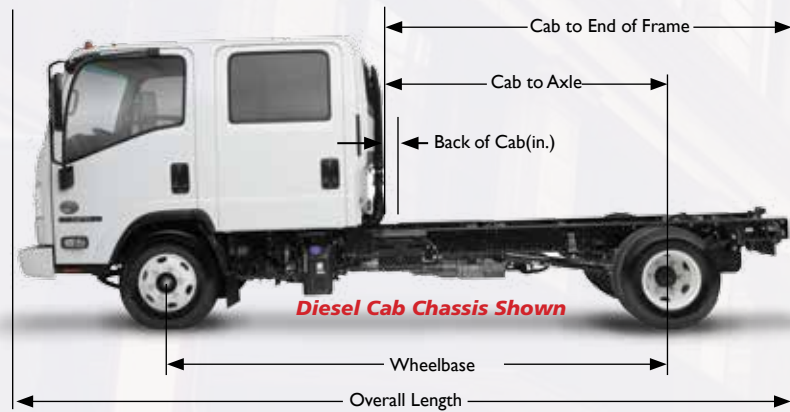
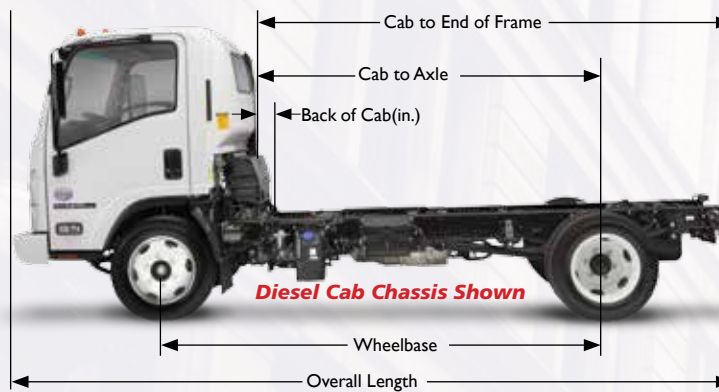
### Crew Cab: Seating for Seven

Body choices 12 ft. to 16 ft.\*  
GVWRs 14,500 lbs. to 17,950 lbs.  
Wheelbases 150.0 in. to 176.0 in.

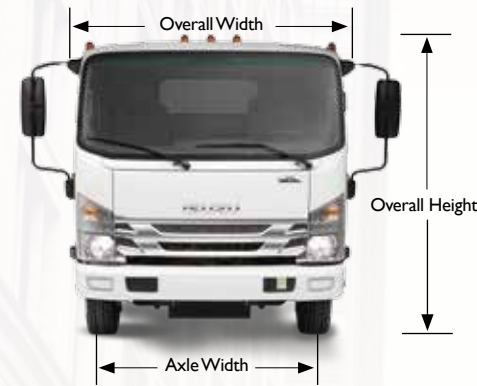
**Easy to Drive:** Outstanding driver visibility and maneuverability that provides an exceptional driving experience

\* Wheelbase dimension determines maximum body length

# N-Series Dimensions Diesel (Illustrated) Gas (See Charts)



## N-SERIES TRUCKS



### NPR, NPR-HD, NPR-XD, NQR, NRR

Wheelbase (in.)	Cab to Axle (in.)	Cab to End of Frame (in.)	Back of Cab (in.)	Overall Length (in.)	Overall Width (in.)	Axle Width (in.)	Overall Height (in.)	Body Length (ft.)
109.0	86.5	129.6	7.7	220.5	81.3	65.6	90.8/92.4*	10-12
132.5	110.0	153.1	7.7	224.0	81.3	65.6	90.8/92.4*	14
150.0	127.5	170.6	7.7	241.5	81.3	65.6	90.8/92.4*	16-18
176.0	153.5	196.6	7.7	267.5	81.3	65.6	90.8/92.4*	18-20
200.0 <sup>ii</sup>	177.5	220.6	7.7	291.5	81.3	65.6	92.4	22
212.0 <sup>iii</sup>	189.5	232.6	7.7	303.5	81.3	65.6	92.4	24

<sup>i</sup>NPR-HD only 10.2 <sup>ii</sup>NQR, NRR only <sup>iii</sup>NRR only \*NPR only 6.1  
\*\*NPR, NPR-HD/NPR-XD, NQR, NRR

### NPR / NPR-HD GAS

Wheelbase (in.)	Cab to Axle (in.)	Cab to End of Frame (in.)	Back of Cab (in.)	Overall Length (in.)	Overall Width (in.)	Axle Width (in.)	Overall Height (in.)	Body Length (ft.)
109.0	86.5	129.6	6.5	200.5	81.3	65.6	90.8	10-12
132.5	110.0	153.1	6.5	224.0	81.3	65.6	90.8	14
150.0	127.5	170.6	6.5	241.5	81.3	65.6	90.8	16-18
176.0	153.5	196.6	6.5	267.5	81.3	65.6	90.8	18-20

### NPR-HD / NPR-XD / NQR DIESEL CREW CAB

Wheelbase (in.)	Cab to Axle (in.)	Cab to End of Frame (in.)	Back of Cab (in.)	Overall Length (in.)	Overall Width (in.)	Axle Width (in.)	Overall Height (in.)	Body Length (ft.)
150.0	88.5	131.6	5.3	241.5	81.3	65.6	90.8/92.4*	12
176.0	114.5	157.6	5.3	267.5	81.3	65.6	90.8/92.4*	16

\*NPR-HD Crew Cab/NPR-XD Crew Cab, NQR Crew Cab

### NPR / NPR-HD GAS CREW CAB

Wheelbase (in.)	Cab to Axle (in.)	Cab to End of Frame (in.)	Back of Cab (in.)	Overall Length (in.)	Overall Width (in.)	Axle Width (in.)	Overall Height (in.)	Body Length (ft.)
150.0	88.5	131.6	5.0	241.5	81.3	65.6	90.0/91.1	12
176.0	114.5	157.6	5.0	267.5	81.3	65.6	90.0/91.1	16

## 2016/2017 ISUZU N-SERIES DIESEL WARRANTY COVERAGE AT A GLANCE

Vehicle Coverage	Warranty Limitations (Time or Mileage, Whichever Comes First)*		Percentage Of Dealer's Normal Charge Paid By Owner	
	Time in years*	Vehicle miles*	Parts	Labor
Basic	0-3 Years	Unlimited	No Charge	No Charge
Engine	0-3 Years	Unlimited	No Charge	No Charge
• Transmission • Drive Axle • Driveshaft • Front Axle I-Beam • Crossmembers • Flywheel Housing • Clutch Housing	0-3 Years	Unlimited	No Charge	No Charge
Frame Rails	0-3 Years 3-5 Years	Unlimited Unlimited	No Charge 50%	No Charge 50%
Engine Emissions Control System - Federal	0-5 Years	0-100,000	No Charge	No Charge
California Emissions Performance: NPR	0-3 Years	0-50,000	No Charge	No Charge
California Emissions Long-Term Defects: NPR	0-7 Years	0-70,000	No Charge	No Charge
Tires	0-2 Years	0-24,000	No Charge	No Charge
Corrosion (Rust Through)	0-4 Years	Unlimited	No Charge	No Charge

\* The warranty coverages are determined by the mileage of the vehicle and the number of years from the delivery date. See your authorized Isuzu dealer for warranty details.

## 2016 ISUZU N-SERIES GAS WARRANTY COVERAGE AT A GLANCE

Vehicle Coverage	Warranty Limitations (Time or Mileage, Whichever Comes First)*		Percentage Of Dealer's Normal Charge Paid By Owner	
	Time in years*	Vehicle miles*	Parts	Labor
Basic	0-3 Years	0-36,000	No Charge	No Charge
Engine	0-5 Years	0-75,000	No Charge	No Charge
• Transmission • Drive Axle • Driveshaft • Front Axle I-Beam • Crossmembers	0-5 Years	0-75,000	No Charge	No Charge
Frame Rails	0-3 Years 3-5 Years	0-36,000 Unlimited	No Charge 50%	No Charge 50%
Federal Emissions	0-5 Years	0-50,000	No Charge	No Charge
Engine Emissions Control System (NPR model) California	0-3 Years	0-50,000	No Charge	No Charge
Engine Emissions Control System (NPR model) California	0-7 Years	0-70,000	No Charge	No Charge
Tires	0-2 Years	0-24,000	No Charge	No Charge
Corrosion (Rust Through)	0-4 Years	Unlimited	No Charge	No Charge

## GAS N-SERIES SPECIFICATIONS

	NPR GAS	NPR GAS CREW CAB	NPR-HD GAS	NPR-HD GAS CREW CAB
GVWR/GCWR	12,000/18,000 lbs.	12,000/18,000 lbs.	14,500/20,500 lbs.	14,500/20,500 lbs.
BODY/PAYLOAD ALLOWANCE	6,782-6,978 lbs.	6,246-6,308 lbs.	8,977-9,174 lbs.	8,442-8,503 lbs.
GAWR Front Rear	4,860 lbs. 8,840 lbs.	4,860 lbs. 8,840 lbs.	6,630 lbs. 11,020 lbs.	6,630 lbs. 11,020 lbs.
FRONT AXLE CAPACITY	6,830 lbs.	6,830 lbs.	6,830 lbs.	6,830 lbs.
REAR AXLE CAPACITY Ratio	11,020 lbs. 5.125	11,020 lbs. 5.125	11,020 lbs. 5.375	11,020 lbs. 5.375
SUSPENSION F/R SPRINGS Capacity	Tapered/Multi-Leaf 8,440/12,900 lbs.	Tapered/Multi-Leaf 8,440/12,900 lbs.	Tapered/Multi-Leaf 8,440/12,900 lbs.	Tapered/Multi-Leaf 8,440/12,900 lbs.
FRAME Section Modulus Resistance Bending Moment	7.20 in. <sup>3</sup> 316,800 lb.-ft./in.	7.20 in. <sup>3</sup> 316,800 lb.-ft./in.	7.20 in. <sup>3</sup> 316,800 lb.-ft./in.	7.20 in. <sup>3</sup> 316,800 lb.-ft./in.
SERVICE BRAKES Front/Rear	Vacuum/Hydraulic with 4-Channel ABS Disc/Drum	Vacuum/Hydraulic with 4-Channel ABS Disc/Drum	Vacuum/Hydraulic with 4-Channel ABS Disc/Drum	Vacuum/Hydraulic with 4-Channel ABS Disc/Drum
TRANSMISSION	6L90 6-speed auto. with double overdrive and lock-up converter	6L90 6-speed auto. with double overdrive and lock-up converter	6L90 6-speed auto. with double overdrive and lock-up converter	6L90 6-speed auto. with double overdrive and lock-up converter
ENGINE  Displacement Engine Power Engine Torque	GMPT L96 (Gen IV) V8 Vortec 6000 (Optional: KL8-Alternative Fuel Capable Engine) 6.0L (365 in. <sup>3</sup> ) 297hp @ 4,300 rpm 372 lb.-ft. @ 4,000 rpm	GMPT L96 (Gen IV) V8 Vortec 6000 (Optional: KL8-Alternative Fuel Capable Engine) 6.0L (365 in. <sup>3</sup> ) 297hp @ 4,300 rpm 372 lb.-ft. @ 4,000 rpm	GMPT L96 (Gen IV) V8 Vortec 6000 (Optional: KL8-Alternative Fuel Capable Engine) 6.0L (365 in. <sup>3</sup> ) 297hp @ 4,300 rpm 372 lb.-ft. @ 4,000 rpm	GMPT L96 (Gen IV) V8 Vortec 6000 (Optional: KL8-Alternative Fuel Capable Engine) 6.0L (365 in. <sup>3</sup> ) 297hp @ 4,300 rpm 372 lb.-ft. @ 4,000 rpm
LIMITED SLIP DIFFERENTIAL	Optional	Optional	Optional	Optional
ALTERNATOR	145-amp	145-amp	145-amp	145-amp
BATTERIES	1 Maintenance-Free 750-CCA	1 Maintenance-Free 750-CCA	1 Maintenance-Free 750-CCA	1 Maintenance-Free 750-CCA
TIRES LRR (Low Rolling Resistance)	215/85R16E (10-pr) Standard	215/85R16E (10-pr) Standard	225/70R19.5G (14-pr) Standard	225/70R19.5G (14-pr) Standard
STEERING	Integral Hydraulic Power	Integral Hydraulic Power	Integral Hydraulic Power	Integral Hydraulic Power
STEERING COLUMN	Tilt and Telescopic	Tilt and Telescopic	Tilt and Telescopic	Tilt and Telescopic
FUEL TANK	30 Gal. in-frame	30 Gal. in-frame	30 Gal. in-frame	30 Gal. in-frame

# ISUZU

**DIESEL N-SERIES SPECIFICATIONS**

	<b>NPR</b>	<b>NPR-HD</b>	<b>NPR-HD CREW CAB</b>	<b>NPR-XD</b>
<b>GVWR/GCWR</b>	13,000/19,000 lbs.	14,500/20,500 lbs.	14,500/20,500 lbs.	16,000 lbs./22,000 lbs.
<b>BODY/PAYLOAD ALLOWANCE</b>	7,435-7,607 lbs.	8,339-8,536 lbs.	7,766-7,832 lbs.	9,410-9,607 lbs.
<b>GAWR</b>				
Front	5,360 lbs.	5,360 lbs.	5,360 lbs.	6,630 lbs.
Rear	9,880 lbs.	9,880 lbs.	9,880 lbs.	11,020 lbs.
<b>FRONT AXLE CAPACITY</b>	6,830 lbs.	6,830 lbs.	6,830 lbs.	6,830 lbs.
<b>REAR AXLE CAPACITY</b>	11,020 lbs.	11,020 lbs.	11,020 lbs.	11,020 lbs.
Ratio	5.125	4.555	4.555	4.777
<b>SUSPENSION F/R SPRINGS</b>	Tapered/Multi-Leaf	Tapered/Multi-Leaf	Tapered/Multi-Leaf	Tapered/Multi-Leaf
Capacity	6,830/9,880 lbs.	6,830/9,880 lbs.	6,830/9,880 lbs.	8,440/14,308 lbs.
<b>FRAME</b>				
Section Modulus	7.20 in. <sup>3</sup>	7.20 in. <sup>3</sup>	11.89 in. <sup>3</sup>	7.20 in. <sup>3</sup>
Resistance Bending Moment	316,800 lb.-ft./in.	316,800 lb.-ft./in.	523,160 lb.-ft./in.	316,800 lb.-ft./in.
<b>SERVICE BRAKES</b>	Vacuum/Hydraulic with 4-Channel ABS Disc/Drum	Vacuum/Hydraulic with 4-Channel ABS Disc/Drum	Vacuum/Hydraulic with 4-Channel ABS Disc/Drum	Vacuum/Hydraulic with 4-Channel ABS Disc/Drum
Front/Rear				
<b>EXHAUST BRAKE</b>	Standard	Standard	Standard	Standard
<b>TRANSMISSION</b>	Aisin A460 6-speed auto. with double overdrive and lock-up 2 <sup>nd</sup> -6 <sup>th</sup> gears	Aisin A465 6-speed auto. with double overdrive and lock-up 2 <sup>nd</sup> -6 <sup>th</sup> gears	Aisin A465 6-speed auto. with double overdrive and lock-up 2 <sup>nd</sup> -6 <sup>th</sup> gears	Aisin A465 6-speed auto. with double overdrive and lock-up 2 <sup>nd</sup> -6 <sup>th</sup> gears
<b>ENGINE</b>	Isuzu 4JJ1-TC turbocharged intercooled diesel	Isuzu 4HK1-TC turbocharged intercooled diesel	Isuzu 4HK1-TC turbocharged intercooled diesel	Isuzu 4HK1-TC turbocharged intercooled diesel
Displacement	3.0L (183 in. <sup>3</sup> )	5.2L (317 in. <sup>3</sup> )	5.2L (317 in. <sup>3</sup> )	5.2L (317 in. <sup>3</sup> )
Engine Power	150hp @ 2,800 rpm	215hp @ 2,500 rpm	215hp @ 2,500 rpm	215hp @ 2,500 rpm
Engine Torque	282 lb.-ft. @ 1,600-2,800 rpm	452 lb.-ft. @ 1,850 rpm	452 lb.-ft. @ 1,850 rpm	452 lb.-ft. @ 1,850 rpm
Oil Level Indicator	Dash-mounted oil level check switch and light	Dash-mounted oil level check switch and light	Dash-mounted oil level check switch and light	Dash-mounted oil level check switch and light
<b>LIMITED SLIP DIFFERENTIAL</b>	Optional	Optional	Optional	Optional
<b>ALTERNATOR</b>	140-amp	140-amp	140-amp	140-amp
<b>BATTERIES</b>	2 Maintenance-Free 750-CCA	2 Maintenance-Free 750-CCA	2 Maintenance-Free 750-CCA	2 Maintenance-Free 750-CCA
<b>TIRES LRR (Low Rolling Resistance)</b>	215/85R16E (10-pr) Standard	215/85R16E (10-pr) Standard	215/85R16E (10-pr) Standard	225/70R19.5F (12-pr) Standard
<b>STEERING</b>	Integral Hydraulic Power	Integral Hydraulic Power	Integral Hydraulic Power	Integral Hydraulic Power
<b>STEERING COLUMN</b>	Tilt and Telescopic	Tilt and Telescopic	Tilt and Telescopic	Tilt and Telescopic
<b>FUEL TANK</b>				
Standard	30 Gal. in-rail	30 Gal. in-rail	30 Gal. in-rail	30 Gal. in-rail
Optional	N/A	33 Gal. side mount (176" WB Only)	N/A	33 Gal. side mount (176" WB Only)
<b>FUEL/WATER SEPARATOR</b>	Dual fuel filter with dash mounted indicator light	Dual fuel filter with dash mounted indicator light	Dual fuel filter with dash mounted indicator light	Dual fuel filter with dash mounted indicator light

**DIESEL N-SERIES SPECIFICATIONS (Continued)**

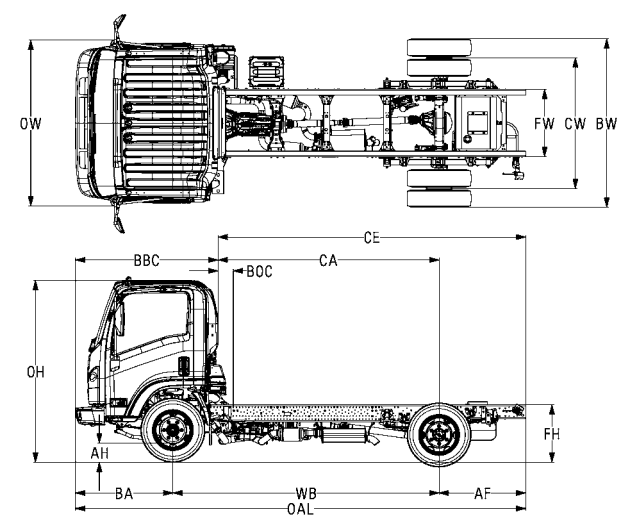
	<b>NPR-XD CREW CAB</b>	<b>NQR</b>	<b>NQR CREW CAB</b>	<b>NRR</b>
<b>GVWR/GCWR</b>	16,000 lbs./22,000 lbs.	17,950/23,950 lbs.	17,950/23,950 lbs.	19,500/25,500 lbs.
<b>BODY/PAYLOAD ALLOWANCE</b>	8,840-8,905 lbs.	10,939-11,461 lbs.	10,680-10,748 lbs.	12,294-12,875 lbs.
<b>GAWR</b>				
Front	6,630 lbs.	6,830 lbs.	6,830 lbs.	7,275 lbs.
Rear	11,020 lbs.	12,980 lbs.	12,980 lbs.	13,660 lbs.
<b>FRONT AXLE CAPACITY</b>	6,830 lbs.	6,830 lbs.	6,830 lbs.	7,275 lbs.
<b>REAR AXLE CAPACITY</b>	11,020 lbs.	14,550 lbs.	14,550 lbs.	14,550 lbs.
Ratio	4.777	5.125	5.125	5.571
<b>SUSPENSION F/R SPRINGS</b>	Tapered/Multi-Leaf	Tapered/Multi-Leaf	Tapered/Multi-Leaf	Tapered/Multi-Leaf
Capacity	8,440/14,308 lbs.	8,440/14,550 lbs.	8,440/14,550 lbs.	8,440/14,550 lbs.
<b>FRAME</b>				
Section Modulus	11.89 in. <sup>3</sup>	7.20 in. <sup>3</sup>	11.89 in. <sup>3</sup>	7.20 in. <sup>3</sup>
Resistance Bending Moment	523,160 lb.-ft./in.	316,800 lb.-ft./in.	523,160 lb.-ft./in.	316,800 lb.-ft./in.
<b>SERVICE BRAKES</b>	Vacuum/Hydraulic with 4-Channel ABS Disc/Drum	Hydraulic Boosted with 4-Channel ABS Disc/Drum	Hydraulic Boosted with 4-Channel ABS Disc/Drum	Hydraulic Boosted with 4-Channel ABS Disc/Drum
Front/Rear				
<b>EXHAUST BRAKE</b>	Standard	Standard	Standard	Standard
<b>TRANSMISSION</b>	Aisin A465 6-speed auto. with double overdrive and lock-up 2 <sup>nd</sup> -6 <sup>th</sup> gears	Aisin A465 6-speed auto. with double overdrive and lock-up 2 <sup>nd</sup> -6 <sup>th</sup> gears	Aisin A465 6-speed auto. with double overdrive and lock-up 2 <sup>nd</sup> -6 <sup>th</sup> gears	Aisin A465 6-speed auto. with double overdrive and lock-up 2 <sup>nd</sup> -6 <sup>th</sup> gears
<b>ENGINE</b>	Isuzu 4HK1-TC turbocharged intercooled diesel	Isuzu 4HK1-TC turbocharged intercooled diesel	Isuzu 4HK1-TC turbocharged intercooled diesel	Isuzu 4HK1-TC turbocharged intercooled diesel
Displacement	5.2L (317 in. <sup>3</sup> )	5.2L (317 in. <sup>3</sup> )	5.2L (317 in. <sup>3</sup> )	5.2L (317 in. <sup>3</sup> )
Engine Power	215hp @ 2,500 rpm	215hp @ 2,500 rpm	215hp @ 2,500 rpm	215hp @ 2,500 rpm
Engine Torque	452 lb.-ft. @ 1,850 rpm	452 lb.-ft. @ 1,850 rpm	452 lb.-ft. @ 1,850 rpm	452 lb.-ft. @ 1,850 rpm
Oil Level Indicator	Dash-mounted oil level check switch and light	Dash-mounted oil level check switch and light	Dash-mounted oil level check switch and light	Dash-mounted oil level check switch and light
<b>LIMITED SLIP DIFFERENTIAL</b>	Optional	Optional	Optional	Optional
<b>ALTERNATOR</b>	140-amp	140-amp	140-amp	140-amp
<b>BATTERIES</b>	2 Maintenance-Free 750-CCA	2 Maintenance-Free 750-CCA	2 Maintenance-Free 750-CCA	2 Maintenance-Free 750-CCA
<b>TIRES LRR (Low Rolling Resistance)</b>	225/70R19.5F (12-pr) Standard	225/70R19.5F (12-pr) Standard	225/70R19.5F (12-pr) Standard	225/70R19.5F (12-pr) Standard
<b>STEERING</b>	Integral Hydraulic Power	Integral Hydraulic Power	Integral Hydraulic Power	Integral Hydraulic Power
<b>STEERING COLUMN</b>	Tilt and Telescopic	Tilt and Telescopic	Tilt and Telescopic	Tilt and Telescopic
<b>FUEL TANK</b>				
Standard	30 Gal. in-rail	30 Gal. in-rail	30 Gal. in-rail	30 Gal. in-rail
Optional	N/A	33 Gal. side mount (176" WB Only)	N/A	33 Gal. side mount (176" WB Only)
<b>FUEL/WATER SEPARATOR</b>	Dual fuel filter with dash mounted indicator light	Dual fuel filter with dash mounted indicator light	Dual fuel filter with dash mounted indicator light	Dual fuel filter with dash mounted indicator light

# ISUZU NPR

## STANDARD CAB

<b>GVWR/GCWR</b>	12,000/18,000 lbs.
<b>BODY/PAYLOAD ALLOWANCE</b>	6,782 - 6,978 lbs.
<b>GAWR</b>	
Front	4,860 lbs.
Rear	8,840 lbs.
<b>FRONT AXLE CAPACITY</b>	6,830 lbs.
<b>REAR AXLE CAPACITY</b>	11,020 lbs.
Ratio	5.125
<b>SUSPENSION F/R SPRINGS</b>	Tapered/Multi-Leaf
Capacity	8,440/12,900 lbs.
<b>FRAME</b>	
Section Modulus	7.20 in. <sup>3</sup>
Resistance Bending Moment	316,800 lb.-ft./in.
<b>SERVICE BRAKES</b>	Vacuum/Hydraulic with 4-Channel ABS Disc/Drum
Front/Rear	
<b>TRANSMISSION</b>	6L90 6-speed auto. with double overdrive and lock-up converter
<b>ENGINE</b>	GMPT L96 (Gen IV) V8 Vortec 6000 (Optional: KL8 - Alternative Fuel Capable Engine)
Displacement	6.0L (365 in. <sup>3</sup> )
Engine Power	297hp @ 4,300 rpm
Engine Torque	372 lb.-ft. @ 4,000 rpm
<b>LIMITED SLIP DIFFERENTIAL</b>	Optional
<b>ALTERNATOR</b>	145-amp
<b>BATTERIES</b>	1 Maintenance-Free 750-CCA
<b>TIRES LRR (Low Rolling Resistance)</b>	215/85R16E (10-pr) Standard
<b>STEERING</b>	Integral Hydraulic Power
<b>STEERING COLUMN</b>	Tilt and Telescopic
<b>FUEL TANK</b>	
Standard	30 Gal. in-frame

# GAS



Wheelbase (in.)	Cab to Axle (in.)	Cab to End of Frame (in.)	Back of Cab (in.)	Overall Length (in.)	Body Length (ft.)	Overall Width (in.)	Axle Width (in.)	Overall Height (in.)
109.0	86.5	129.6	6.5	200.5	10-12	81.3	65.6	90.0
132.5	110.0	153.1	6.5	224.0	14	81.3	65.6	90.0
150.0	127.5	170.6	6.5	241.5	16-18	81.3	65.6	90.0
176.0	153.5	196.6	6.5	267.5	18-20	81.3	65.6	90.0

### 2016 ISUZU N-SERIES GAS WARRANTY COVERAGE AT A GLANCE

Vehicle Coverage	Warranty Limitations (Time or Mileage, Whichever Comes First)*		Percentage Of Dealer's Normal Charge Paid By Owner	
	Time in years*	Vehicle miles*	Parts	Labor
Basic (See "What's covered")	0-3 Years	0-36,000	No Charge	No Charge
Engine	0-5 Years	0-75,000	No Charge	No Charge
• Transmission	0-5 Years	0-75,000	No Charge	No Charge
• Drive Axle				
• Driveshaft				
• Front Axle I-Beam				
• Crossmembers				
Frame Rails	0-3 Years	0-36,000	No Charge	No Charge
	3-5 Years	Unlimited	50%	50%
Federal Emissions	0-5 Years	0-50,000	No Charge	No Charge
Engine Emissions Control System (NPR model) California	0-3 Years	0-50,000	No Charge	No Charge
Engine Emissions Control System (NPR model) California	0-7 Years	0-70,000	No Charge	No Charge
Tires	0-2 Years	0-24,000	No Charge	No Charge
Corrosion (Rust-Through)	0-4 Years	Unlimited	No Charge	No Charge

\* The warranty coverages are determined by the mileage of the vehicle and the number of years from the delivery date. See your authorized Isuzu dealer for warranty details.

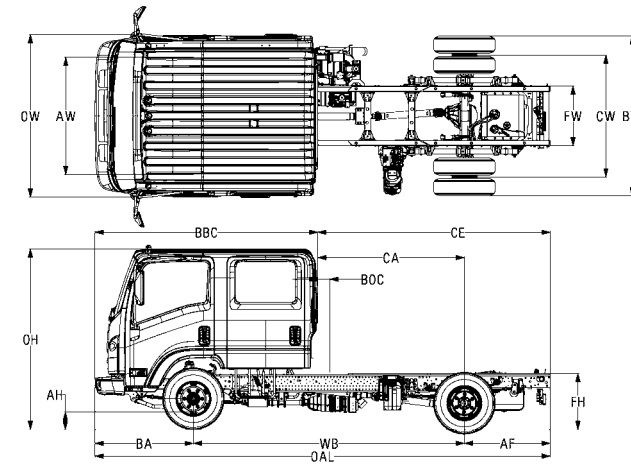


# ISUZU NPR

## CREW CAB

<b>GVWR/GCWR</b>	12,000/18,000 lbs.
<b>BODY/PAYLOAD ALLOWANCE</b>	6,246 - 6,308 lbs.
<b>GAWR</b>	
Front	4,860 lbs.
Rear	8,840 lbs.
<b>FRONT AXLE CAPACITY</b>	6,830 lbs.
<b>REAR AXLE CAPACITY</b>	11,020 lbs.
Ratio	5.125
<b>SUSPENSION F/R SPRINGS</b>	Tapered/Multi-Leaf
Capacity	8,440/12,900 lbs.
<b>FRAME</b>	
Section Modulus	7.20 in. <sup>3</sup>
Resistance Bending Moment	316,800 lb.-ft./in.
<b>SERVICE BRAKES</b>	Vacuum/Hydraulic with 4-Channel ABS Disc/Drum
Front/Rear	
<b>TRANSMISSION</b>	6L90 6-speed auto. with double overdrive and lock-up converter
<b>ENGINE</b>	GMPT L96 (Gen IV) V8 Vortec 6000 (Optional: KL8 - Alternative Fuel Capable Engine)
Displacement	6.0L (365 in. <sup>3</sup> )
Engine Power	297hp @ 4,300 rpm
Engine Torque	372 lb.-ft. @ 4,000 rpm
<b>LIMITED SLIP DIFFERENTIAL</b>	Optional
<b>ALTERNATOR</b>	145-amp
<b>BATTERIES</b>	1 Maintenance-Free 750-CCA
<b>TIRES LRR (Low Rolling Resistance)</b>	215/85R16E (10-pr) Standard
<b>STEERING</b>	Integral Hydraulic Power
<b>STEERING COLUMN</b>	Tilt and Telescopic
<b>FUEL TANK</b>	
Standard	30 Gal. in-frame

# GAS



Wheelbase (in.)	Cab to Axle (in.)	Cab to End of Frame (in.)	Back of Cab (in.)	Overall Length (in.)	Body Length (ft.)	Overall Width (in.)	Axle Width (in.)	Overall Height (in.)
150.0	88.5	131.6	5.0	241.5	12	81.3	65.6	90.0
176.0	114.5	157.6	5.0	267.5	16	81.3	65.6	90.0

### 2016 ISUZU N-SERIES GAS WARRANTY COVERAGE AT A GLANCE

Vehicle Coverage	Warranty Limitations (Time or Mileage, Whichever Comes First)*		Percentage Of Dealer's Normal Charge Paid By Owner	
	Time in years*	Vehicle miles*	Parts	Labor
Basic (See "What's covered")	0-3 Years	0-36,000	No Charge	No Charge
Engine	0-5 Years	0-75,000	No Charge	No Charge
• Transmission	0-5 Years	0-75,000	No Charge	No Charge
• Drive Axle				
• Driveshaft				
• Front Axle I-Beam				
• Crossmembers				
Frame Rails	0-3 Years	0-36,000	No Charge	No Charge
	3-5 Years	Unlimited	50%	50%
Federal Emissions	0-5 Years	0-50,000	No Charge	No Charge
Engine Emissions Control System (NPR model) California	0-3 Years	0-50,000	No Charge	No Charge
Engine Emissions Control System (NPR model) California	0-7 Years	0-70,000	No Charge	No Charge
Tires	0-2 Years	0-24,000	No Charge	No Charge
Corrosion (Rust-Through)	0-4 Years	Unlimited	No Charge	No Charge

\* The warranty coverages are determined by the mileage of the vehicle and the number of years from the delivery date. See your authorized Isuzu dealer for warranty details.

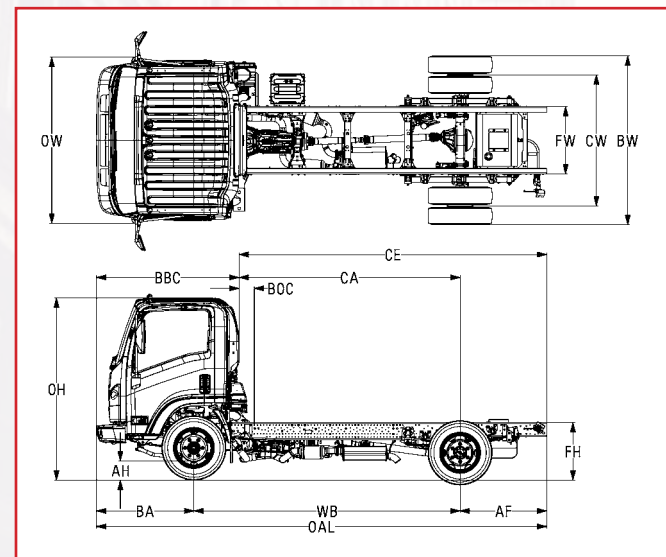


# ISUZU NPR HD

## STANDARD CAB

<b>GVWR/GCWR</b>	14,500/20,500 lbs.
<b>BODY/PAYLOAD ALLOWANCE</b>	8,977 - 9,174 lbs.
<b>GAWR</b>	
Front	6,630 lbs.
Rear	11,020 lbs.
<b>FRONT AXLE CAPACITY</b>	6,830 lbs.
<b>REAR AXLE CAPACITY</b>	11,020 lbs.
Ratio	5.375
<b>SUSPENSION F/R SPRINGS</b>	Tapered/Multi-Leaf
Capacity	8,440/12,900 lbs.
<b>FRAME</b>	
Section Modulus	7.20 in. <sup>3</sup>
Resistance Bending Moment	316,800 lb.-ft./in.
<b>SERVICE BRAKES</b>	Vacuum/Hydraulic with
Front/Rear	4-Channel ABS Disc/Drum
<b>TRANSMISSION</b>	6L90 6-speed auto. with
	double overdrive and
	lock-up converter
<b>ENGINE</b>	GMPT L96 (Gen IV) V8 Vortec
	6000 (Optional: KL8 - Alternative
	Fuel Capable Engine)
Displacement	6.0L (365 in. <sup>3</sup> )
Engine Power	297hp @ 4,300 rpm
Engine Torque	372 lb.-ft. @ 4,000 rpm
<b>LIMITED SLIP DIFFERENTIAL</b>	Optional
<b>ALTERNATOR</b>	145-amp
<b>BATTERIES</b>	1 Maintenance-Free
	750-CCA
<b>TIRES LRR (Low Rolling Resistance)</b>	225/70R19.5G (14-pr)
	Standard
<b>STEERING</b>	Integral Hydraulic Power
<b>STEERING COLUMN</b>	Tilt and Telescopic
<b>FUEL TANK</b>	30 Gal. in-frame
Standard	

# GAS



Wheelbase (in.)	Cab to Axle (in.)	Cab to End of Frame (in.)	Back of Cab (in.)	Overall Length (in.)	Body Length (ft.)	Overall Width (in.)	Axle Width (in.)	Overall Height (in.)
109.0	86.5	129.6	6.5	200.5	10-12	81.3	65.6	90.9
132.5	110.0	153.1	6.5	224.0	14	81.3	65.6	90.9
150.0	127.5	170.6	6.5	241.5	16-18	81.3	65.6	90.9
176.0	153.5	196.6	6.5	267.5	18-20	81.3	65.6	90.9

### 2016 ISUZU N-SERIES GAS WARRANTY COVERAGE AT A GLANCE

Vehicle Coverage	Warranty Limitations (Time or Mileage, Whichever Comes First)*		Percentage Of Dealer's Normal Charge Paid By Owner	
	Time in years*	Vehicle miles*	Parts	Labor
Basic (See "What's covered")	0-3 Years	0-36,000	No Charge	No Charge
Engine	0-5 Years	0-75,000	No Charge	No Charge
• Transmission	0-5 Years	0-75,000	No Charge	No Charge
• Drive Axle				
• Driveshaft				
• Front Axle I-Beam				
• Crossmembers				
Frame Rails	0-3 Years	0-36,000	No Charge	No Charge
	3-5 Years	Unlimited	50%	50%
Federal Emissions	0-5 Years	0-50,000	No Charge	No Charge
Tires	0-2 Years	0-24,000	No Charge	No Charge
Corrosion (Rust Through)	0-4 Years	Unlimited	No Charge	No Charge

\* The warranty coverages are determined by the mileage of the vehicle and the number of years from the delivery date. See your authorized Isuzu dealer for warranty details.

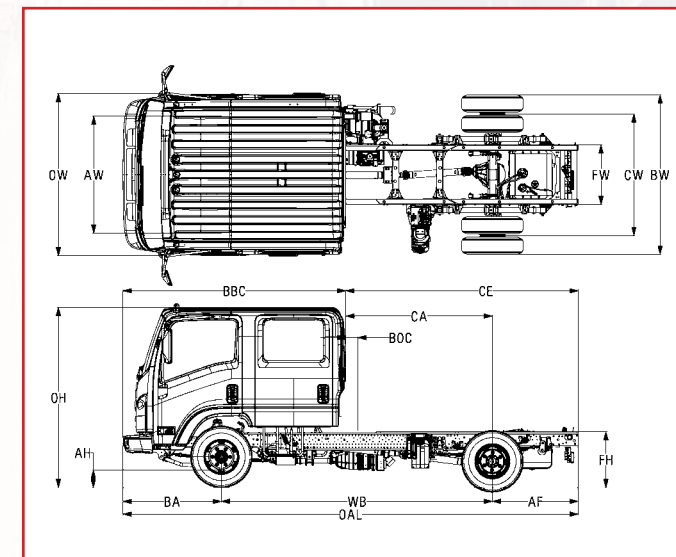


# ISUZU NPR HD

## CREW CAB

<b>GVWR/GCWR</b>	14,500/20,500 lbs.
<b>BODY/PAYLOAD ALLOWANCE</b>	8,442 - 8,503 lbs.
<b>GAWR</b>	
Front	6,630 lbs.
Rear	11,020 lbs.
<b>FRONT AXLE CAPACITY</b>	6,830 lbs.
<b>REAR AXLE CAPACITY</b>	11,020 lbs.
Ratio	5.375
<b>SUSPENSION F/R SPRINGS</b>	Tapered/Multi-Leaf
Capacity	8,440/12,900 lbs.
<b>FRAME</b>	
Section Modulus	7.20 in. <sup>3</sup>
Resistance Bending Moment	316,800 lb.-ft./in.
<b>SERVICE BRAKES</b>	Vacuum/Hydraulic with
Front/Rear	4-Channel ABS Disc/Drum
<b>TRANSMISSION</b>	6L90 6-speed auto. with
	double overdrive and
	lock-up converter
<b>ENGINE</b>	GMPT L96 (Gen IV) V8 Vortec
	6000 (Optional: KL8 - Alternative
	Fuel Capable Engine)
Displacement	6.0L (365 in. <sup>3</sup> )
Engine Power	297hp @ 4,300 rpm
Engine Torque	372 lb.-ft. @ 4,000 rpm
<b>LIMITED SLIP DIFFERENTIAL</b>	Optional
<b>ALTERNATOR</b>	145-amp
<b>BATTERIES</b>	1 Maintenance-Free
	750-CCA
<b>TIRES LRR (Low Rolling Resistance)</b>	225/70R19.5G (14-pr)
	Standard
<b>STEERING</b>	Integral Hydraulic Power
<b>STEERING COLUMN</b>	Tilt and Telescopic
<b>FUEL TANK</b>	30 Gal. in-frame
Standard	

# GAS



Wheelbase (in.)	Cab to Axle (in.)	Cab to End of Frame (in.)	Back of Cab (in.)	Overall Length (in.)	Body Length (ft.)	Overall Width (in.)	Axle Width (in.)	Overall Height (in.)
150.0	88.5	131.6	5.0	241.5	12	81.3	65.6	91.1
176.0	114.5	157.6	5.0	267.5	16	81.3	65.6	91.1

### 2016 ISUZU N-SERIES GAS WARRANTY COVERAGE AT A GLANCE

Vehicle Coverage	Warranty Limitations (Time or Mileage, Whichever Comes First)*		Percentage Of Dealer's Normal Charge Paid By Owner	
	Time in years*	Vehicle miles*	Parts	Labor
Basic (See "What's covered")	0-3 Years	0-36,000	No Charge	No Charge
Engine	0-5 Years	0-75,000	No Charge	No Charge
• Transmission	0-5 Years	0-75,000	No Charge	No Charge
• Drive Axle				
• Driveshaft				
• Front Axle I-Beam				
• Crossmembers				
Frame Rails	0-3 Years	0-36,000	No Charge	No Charge
	3-5 Years	Unlimited	50%	50%
Federal Emissions	0-5 Years	0-50,000	No Charge	No Charge
Tires	0-2 Years	0-24,000	No Charge	No Charge
Corrosion (Rust Through)	0-4 Years	Unlimited	No Charge	No Charge

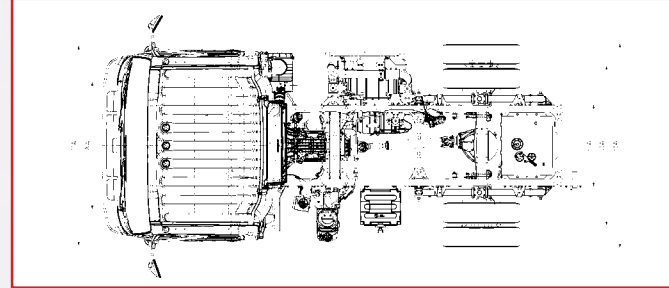
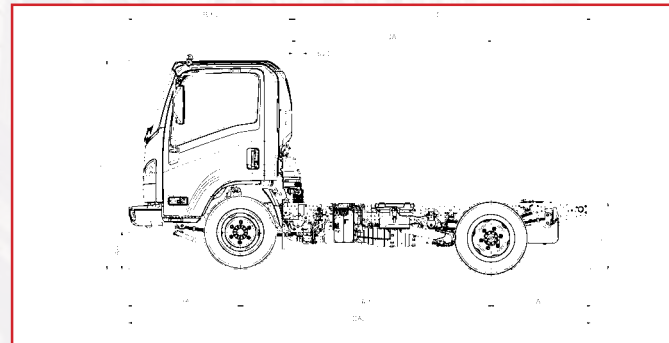
\* The warranty coverages are determined by the mileage of the vehicle and the number of years from the delivery date. See your authorized Isuzu dealer for warranty details.



## STANDARD CAB

GVWR/GCWR	13,000/19,000 lbs.
BODY/PAYLOAD ALLOWANCE	7,435 - 7,607 lbs.
<b>GAWR</b>	
Front	5,360 lbs.
Rear	9,880 lbs.
FRONT AXLE CAPACITY	6,830 lbs.
REAR AXLE CAPACITY	11,020 lbs.
Ratio	5.125
SUSPENSION F/R SPRINGS	Tapered/Multi-Leaf
Capacity	6,830/9,880 lbs.
<b>FRAME</b>	
Section Modulus	7.20 in. <sup>3</sup>
Resistance Bending Moment	316,800 lb.-ft./in.
<b>SERVICE BRAKES</b>	Vacuum/Hydraulic with
Front/Rear	4-Channel ABS Disc/Drum
<b>EXHAUST BRAKE</b>	Standard
<b>TRANSMISSION</b>	Aisin A460 6-speed auto.
	with double overdrive
	and lock-up 2 <sup>nd</sup> -6 <sup>th</sup> gears
<b>ENGINE</b>	Isuzu 4JJ1-TC turbocharged
	intercooled diesel
Displacement	3.0L (183 in. <sup>3</sup> )
Engine Power	150hp @ 2,800 rpm
Engine Torque	282 lb.-ft. @ 1,600-2,800 rpm
Oil Level Indicator	Dash-mounted oil level
	check switch and light
<b>LIMITED SLIP DIFFERENTIAL</b>	Optional
<b>ALTERNATOR</b>	140-amp
<b>BATTERIES</b>	2 Maintenance-Free
	750-CCA
<b>TIRES LRR (Low Rolling Resistance)</b>	215/85R16E (10-pr) Standard
<b>STEERING</b>	Integral Hydraulic Power
<b>STEERING COLUMN</b>	Tilt and Telescopic
<b>FUEL TANK</b>	
Standard	30 Gal. in-rail
<b>FUEL/WATER SEPARATOR</b>	Dual fuel filter with dash
	mounted indicator light

# DIESEL



Wheelbase (in.)	Cab to Axle (in.)	Cab to End of Frame (in.)	Back of Cab (in.)	Overall Length (in.)	Body Length (ft.)	Overall Width (in.)	Axle Width (in.)	Overall Height (in.)
109.0	86.5	129.6	6.1	200.5	10-12	81.3	65.6	90.8
132.5	110.0	153.1	6.1	224.0	14	81.3	65.6	90.8
150.0	127.5	170.6	6.1	241.5	16-18	81.3	65.6	90.8
176.0	153.5	196.6	6.1	267.5	18-20	81.3	65.6	90.8

### 2016 ISUZU N-SERIES DIESEL WARRANTY COVERAGE AT A GLANCE

Vehicle Coverage	Warranty Limitations (Time or Mileage, Whichever Comes First)*		Percentage Of Dealer's Normal Charge Paid By Owner	
	Time in years*	Vehicle miles*	Parts	Labor
Basic	0-3 Years	Unlimited	No Charge	No Charge
Engine	0-3 Years	Unlimited	No Charge	No Charge
• Transmission	0-3 Years	Unlimited	No Charge	No Charge
• Drive Axle				
• Driveshaft				
• Front Axle I-Beam				
• Crossmembers				
• Flywheel Housing	0-3 Years	Unlimited	No Charge	No Charge
• Clutch Housing				
Frame Rails	0-3 Years	Unlimited	No Charge	No Charge
Engine Emissions Control System - Federal	3-5 Years	Unlimited	50%	50%
Tires	0-5 Years	0-100,000	No Charge	No Charge
Corrosion (Rust Through)	0-2 Years	0-24,000	No Charge	No Charge
	0-4 Years	Unlimited	No Charge	No Charge

\* The warranty coverages are determined by the mileage of the vehicle and the number of years from the delivery date. See your authorized Isuzu dealer for warranty details.



## 13,000 lbs. GVWR CLASS LEADING PAYLOAD



### Priced lower than a Class 4 truck

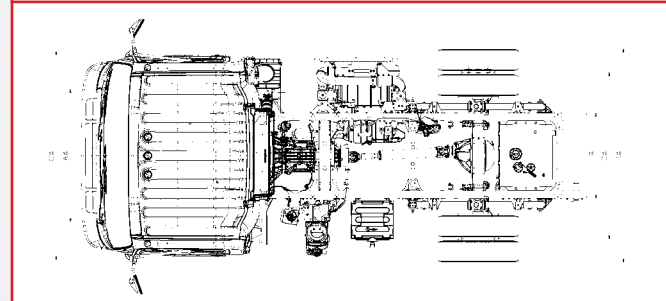
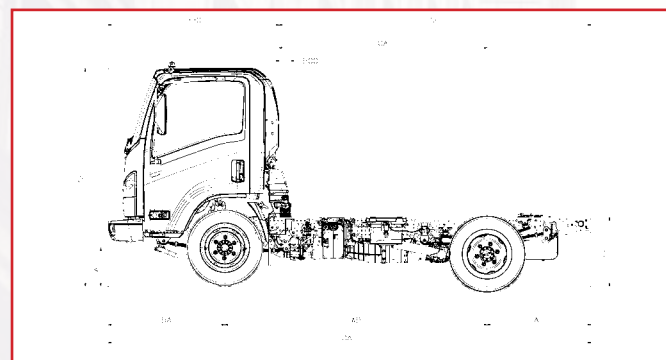
- Class leading payload 7,435 – 7,607 lbs.
- 33.5" industry standard frame accepts bodies up to 102" wide and up to 91" body height
- Accepts body lengths up to 20 feet
- Four wheelbases: 109", 132.5", 150", 176"
- Tighter turning radius with a 49.5 degree wheel cut angle
- Outstanding driver visibility and maneuverability
- 3.0L 150HP diesel with class-leading fuel economy, a B-10 diesel engine life of 310,000 miles and B20 biodiesel capable
- Aisin A460 6-speed automatic transmission with double overdrive and PTO capable
- 30 gallon rear mounted in-rail fuel tank



# ISUZU NPR HD

## STANDARD CAB

GVWR/GCWR	14,500/20,500 lbs.
BODY/PAYLOAD ALLOWANCE	8,339-8,536 lbs.
<b>GAWR</b>	
Front	5,360 lbs.
Rear	9,880 lbs.
FRONT AXLE CAPACITY	6,830 lbs.
REAR AXLE CAPACITY	11,020 lbs.
Ratio	4.555
SUSPENSION F/R SPRINGS	Tapered/Multi-Leaf
Capacity	6,830/9,880 lbs.
<b>FRAME</b>	
Section Modulus	7.20 in. <sup>3</sup>
Resistance Bending Moment	316,800 lb.-ft./in.
<b>SERVICE BRAKES</b>	Vacuum/Hydraulic with
Front/Rear	4-Channel ABS Disc/Drum
<b>EXHAUST BRAKE</b>	Standard
<b>TRANSMISSION</b>	Aisin A465 6-speed auto. with double overdrive and lock-up 2 <sup>nd</sup> -6 <sup>th</sup> gears
<b>ENGINE</b>	Isuzu 4HK1-TC turbocharged intercooled diesel
Displacement	5.2L (317 in. <sup>3</sup> )
Engine Power	215hp @ 2,500 rpm
Engine Torque	452 lb.-ft. @ 1,850 rpm
Oil Level Indicator	Dash-mounted oil level check switch and light
LIMITED SLIP DIFFERENTIAL	Optional
ALTERNATOR	140-amp
BATTERIES	2 Maintenance-Free 750-CCA
TIRES LRR (Low Rolling Resistance)	215/85R16E (10-pr) Standard
STEERING	Integral Hydraulic Power
STEERING COLUMN	Tilt and Telescopic
<b>FUEL TANK</b>	
Standard	30 Gal. in-rail
Optional	33 Gal. side mount (176" WB Only)
<b>FUEL/WATER SEPARATOR</b>	Dual fuel filter with dash mounted indicator light



Wheelbase (in.)	Cab to Axle (in.)	Cab to End of Frame (in.)	Back of Cab (in.)	Overall Length (in.)	Body Length (in.)	Overall Width (in.)	Axle Width (in.)	Overall Height (in.)
109.0	86.5	129.6	7.7	200.5	10-12	81.3	65.6	90.8
132.5	110.0	153.1	7.7	224.0	14	81.3	65.6	90.8
150.0	127.5	170.6	10.2	241.5	16-18	81.3	65.6	90.8
176.0	153.5	196.6	10.2	267.5	18-20	81.3	65.6	90.8

### 2017 ISUZU N-SERIES DIESEL WARRANTY COVERAGE AT A GLANCE

Vehicle Coverage	Warranty Limitations (Time or Mileage, Whichever Comes First)*		Percentage Of Dealer's Normal Charge Paid By Owner	
	Time in years*	Vehicle miles*	Parts	Labor
Basic	0-3 Years	Unlimited	No Charge	No Charge
Engine	0-3 Years	Unlimited	No Charge	No Charge
• Transmission • Drive Axle • Driveshaft • Front Axle I-Beam • Crossmembers • Flywheel Housing • Clutch Housing	0-3 Years	Unlimited	No Charge	No Charge
Frame Rails	0-3 Years 3-5 Years	Unlimited Unlimited	No Charge 50%	No Charge 50%
Engine Emissions Control System - Federal	0-5 Years	0-100,000	No Charge	No Charge
Tires	0-2 Years	0-24,000	No Charge	No Charge
Corrosion (Rust-Through)	0-4 Years	Unlimited	No Charge	No Charge

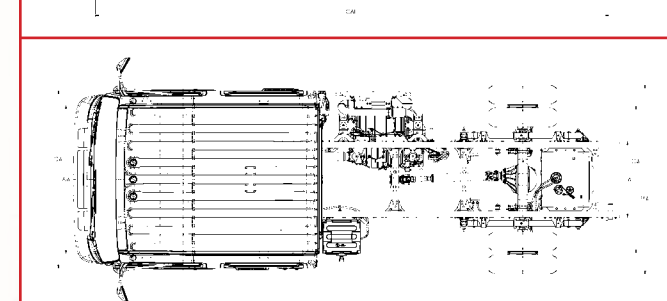
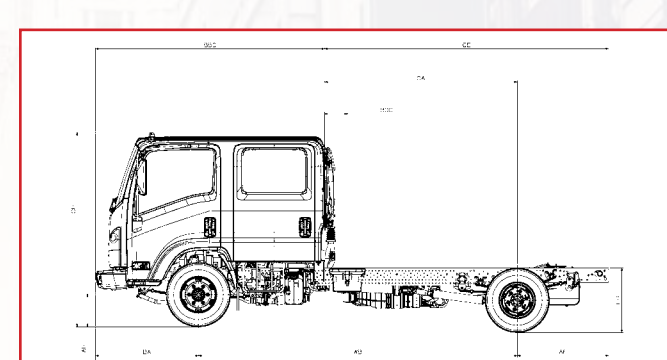
\* The warranty coverages are determined by the mileage of the vehicle and the number of years from the delivery date. See your authorized Isuzu dealer for warranty details.



# ISUZU NPR HD

## CREW CAB

GVWR/GCWR	14,500/20,500 lbs.
BODY/PAYLOAD ALLOWANCE	7,766-7,832 lbs.
<b>GAWR</b>	
Front	5,360 lbs.
Rear	9,880 lbs.
FRONT AXLE CAPACITY	6,830 lbs.
REAR AXLE CAPACITY	11,020 lbs.
Ratio	4.555
SUSPENSION F/R SPRINGS	Tapered/Multi-Leaf
Capacity	6,830/9,880 lbs.
<b>FRAME</b>	
Section Modulus	11.89 in. <sup>3</sup>
Resistance Bending Moment	523,160 lb.-ft./in.
<b>SERVICE BRAKES</b>	Vacuum/Hydraulic with
Front/Rear	4-Channel ABS Disc/Drum
<b>EXHAUST BRAKE</b>	Standard
<b>TRANSMISSION</b>	Aisin A465 6-speed auto. with double overdrive and lock-up 2 <sup>nd</sup> -6 <sup>th</sup> gears
<b>ENGINE</b>	Isuzu 4HK1-TC turbocharged intercooled diesel
Displacement	5.2L (317 in. <sup>3</sup> )
Engine Power	215hp @ 2,500 rpm
Engine Torque	452 lb.-ft. @ 1,850 rpm
Oil Level Indicator	Dash-mounted oil level check switch and light
LIMITED SLIP DIFFERENTIAL	Optional
ALTERNATOR	140-amp
BATTERIES	2 Maintenance-Free 750-CCA
TIRES LRR (Low Rolling Resistance)	215/85R16E (10-pr) Standard
STEERING	Integral Hydraulic Power
STEERING COLUMN	Tilt and Telescopic
<b>FUEL TANK</b>	
Standard	30 Gal. in-rail
<b>FUEL/WATER SEPARATOR</b>	Dual fuel filter with dash mounted indicator light



Wheelbase (in.)	Cab to Axle (in.)	Cab to End of Frame (in.)	Back of Cab (in.)	Overall Length (in.)	Body Length (in.)	Overall Width (in.)	Axle Width (in.)	Overall Height (in.)
150.0	88.5	131.6	5.3	241.5	12	81.3	65.6	90.8
176.0	114.5	157.6	5.3	267.5	16	81.3	65.6	90.8

### 2017 ISUZU N-SERIES DIESEL WARRANTY COVERAGE AT A GLANCE

Vehicle Coverage	Warranty Limitations (Time or Mileage, Whichever Comes First)*		Percentage Of Dealer's Normal Charge Paid By Owner	
	Time in years*	Vehicle miles*	Parts	Labor
Basic	0-3 Years	Unlimited	No Charge	No Charge
Engine	0-3 Years	Unlimited	No Charge	No Charge
• Transmission • Drive Axle • Driveshaft • Front Axle I-Beam • Crossmembers • Flywheel Housing • Clutch Housing	0-3 Years	Unlimited	No Charge	No Charge
Frame Rails	0-3 Years 3-5 Years	Unlimited Unlimited	No Charge 50%	No Charge 50%
Engine Emissions Control System - Federal	0-5 Years	0-100,000	No Charge	No Charge
Tires	0-2 Years	0-24,000	No Charge	No Charge
Corrosion (Rust-Through)	0-4 Years	Unlimited	No Charge	No Charge

\* The warranty coverages are determined by the mileage of the vehicle and the number of years from the delivery date. See your authorized Isuzu dealer for warranty details.

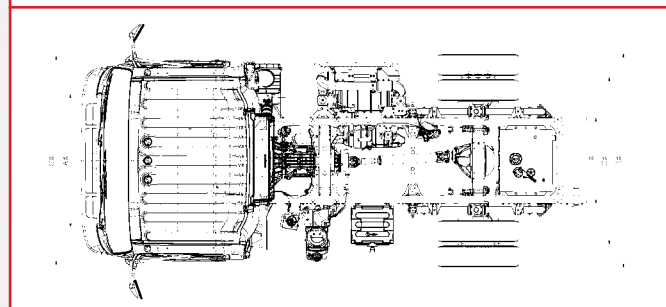
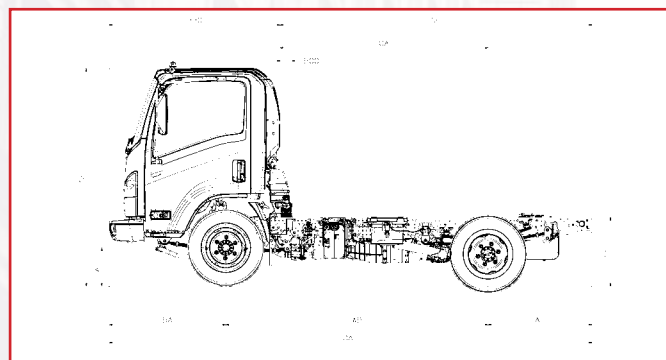


# ISUZU NPR<sub>XD</sub>

## STANDARD CAB

GVWR/GCWR	16,000/22,000 lbs.
BODY/PAYLOAD ALLOWANCE	9,410-9,607 lbs.
<b>GAWR</b>	
Front	6,630 lbs.
Rear	11,020 lbs.
<b>FRONT AXLE CAPACITY</b>	6,830 lbs.
<b>REAR AXLE CAPACITY</b>	11,020 lbs.
Ratio	4.777
<b>SUSPENSION F/R SPRINGS</b>	Tapered/Multi-Leaf
Capacity	8,440/14,308 lbs.
<b>FRAME</b>	
Section Modulus	7.20 in. <sup>3</sup>
Resistance Bending Moment	316,800 lb.-ft./in.
<b>SERVICE BRAKES</b>	Vacuum/Hydraulic with
Front/Rear	4-Channel ABS Disc/Drum
<b>EXHAUST BRAKE</b>	Standard
<b>TRANSMISSION</b>	Aisin A465 6-speed auto.
	with double overdrive
	and lock-up 2 <sup>nd</sup> -6 <sup>th</sup> gears
<b>ENGINE</b>	Isuzu 4HK1-TC turbocharged
	intercooled diesel
<i>Displacement</i>	5.2L (317 in. <sup>3</sup> )
<i>Engine Power</i>	215hp @ 2,500 rpm
<i>Engine Torque</i>	452 lb.-ft. @ 1,850 rpm
<i>Oil Level Indicator</i>	Dash-mounted oil level
	check switch and light
<b>LIMITED SLIP DIFFERENTIAL</b>	Optional
<b>ALTERNATOR</b>	140-amp
<b>BATTERIES</b>	2 Maintenance-Free
	750-CCA
<b>TIRES LRR (Low Rolling Resistance)</b>	225/70R19.5F (12-pr) Standard
<b>STEERING</b>	Integral Hydraulic Power
<b>STEERING COLUMN</b>	Tilt and Telescopic
<b>FUEL TANK</b>	
Standard	30 Gal. in-rail
Optional	33 Gal. side mount
	(176" WB Only)
<b>FUEL/WATER SEPARATOR</b>	Dual fuel filter with dash
	mounted indicator light

DIESEL



Wheelbase (in.)	Cab to Axle (in.)	Cab to End of Frame (in.)	Back of Cab (in.)	Overall Length (in.)	Body Length (ft.)	Overall Width (in.)	Axle Width (in.)	Overall Height (in.)
109.0	86.5	129.6	7.7	200.5	10-12	81.3	65.6	92.4
132.5	110.0	153.1	7.7	224.0	14	81.3	65.6	92.4
150.0	127.5	170.6	7.7	241.5	16-18	81.3	65.6	92.4
176.0	153.5	196.6	7.7	267.5	18-20	81.3	65.6	92.4

### 2017 ISUZU N-SERIES DIESEL WARRANTY COVERAGE AT A GLANCE

Vehicle Coverage	Warranty Limitations (Time or Mileage, Whichever Comes First)*		Percentage Of Dealer's Normal Charge Paid By Owner	
	Time in years*	Vehicle miles*	Parts	Labor
Basic	0-3 Years	Unlimited	No Charge	No Charge
Engine	0-3 Years	Unlimited	No Charge	No Charge
• Transmission	0-3 Years	Unlimited	No Charge	No Charge
• Drive Axle				
• Driveshaft				
• Front Axle I-Beam				
• Crossmembers				
• Flywheel Housing				
• Clutch Housing				
Frame Rails	0-3 Years	Unlimited	No Charge	No Charge
	3-5 Years	Unlimited	50%	50%
Engine Emissions Control System - Federal	0-5 Years	0-100,000	No Charge	No Charge
Tires	0-2 Years	0-24,000	No Charge	No Charge
Corrosion (Rust Through)	0-4 Years	Unlimited	No Charge	No Charge

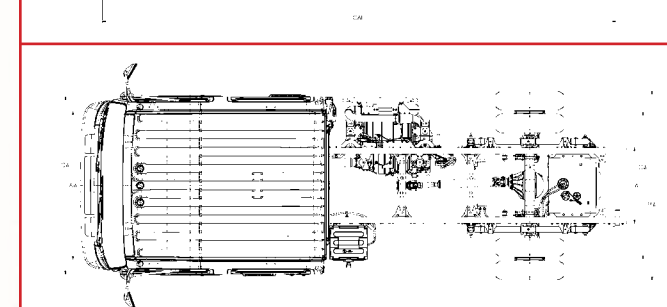
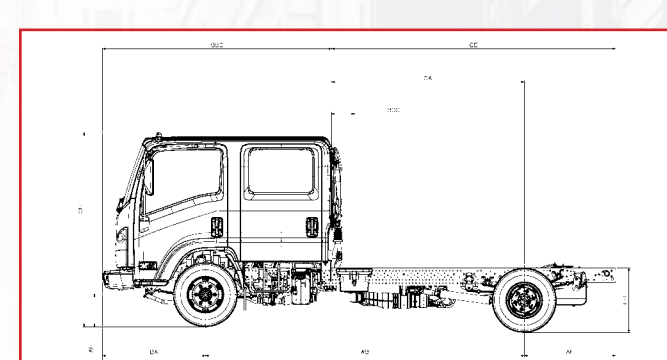
\* The warranty coverages are determined by the mileage of the vehicle and the number of years from the delivery date. See your authorized Isuzu dealer for warranty details.

# ISUZU NPR<sub>XD</sub>

## CREW CAB

GVWR/GCWR	16,000/22,000 lbs.
BODY/PAYLOAD ALLOWANCE	8,840-8,905 lbs.
<b>GAWR</b>	
Front	6,630 lbs.
Rear	11,020 lbs.
<b>FRONT AXLE CAPACITY</b>	6,830 lbs.
<b>REAR AXLE CAPACITY</b>	11,020 lbs.
Ratio	4.777
<b>SUSPENSION F/R SPRINGS</b>	Tapered/Multi-Leaf
Capacity	8,440/14,308 lbs.
<b>FRAME</b>	
Section Modulus	11.89 in. <sup>3</sup>
Resistance Bending Moment	523,160 lb.-ft./in.
<b>SERVICE BRAKES</b>	Vacuum/Hydraulic with
Front/Rear	4-Channel ABS Disc/Drum
<b>EXHAUST BRAKE</b>	Standard
<b>TRANSMISSION</b>	Aisin A465 6-speed auto.
	with double overdrive
	and lock-up 2 <sup>nd</sup> -6 <sup>th</sup> gears
<b>ENGINE</b>	Isuzu 4HK1-TC turbocharged
	intercooled diesel
<i>Displacement</i>	5.2L (317 in. <sup>3</sup> )
<i>Engine Power</i>	215hp @ 2,500 rpm
<i>Engine Torque</i>	452 lb.-ft. @ 1,850 rpm
<i>Oil Level Indicator</i>	Dash-mounted oil level
	check switch and light
<b>LIMITED SLIP DIFFERENTIAL</b>	Optional
<b>ALTERNATOR</b>	140-amp
<b>BATTERIES</b>	2 Maintenance-Free
	750-CCA
<b>TIRES LRR (Low Rolling Resistance)</b>	225/70R19.5F (12-pr) Standard
<b>STEERING</b>	Integral Hydraulic Power
<b>STEERING COLUMN</b>	Tilt and Telescopic
<b>FUEL TANK</b>	
Standard	30 Gal. in-rail
<b>FUEL/WATER SEPARATOR</b>	Dual fuel filter with dash
	mounted indicator light

DIESEL



Wheelbase (in.)	Cab to Axle (in.)	Cab to End of Frame (in.)	Back of Cab (in.)	Overall Length (in.)	Body Length (ft.)	Overall Width (in.)	Axle Width (in.)	Overall Height (in.)
150.0	88.5	131.6	5.3	241.5	12	81.3	65.6	92.4
176.0	114.5	157.6	5.3	267.5	16	81.3	65.6	92.4

### 2017 ISUZU N-SERIES DIESEL WARRANTY COVERAGE AT A GLANCE

Vehicle Coverage	Warranty Limitations (Time or Mileage, Whichever Comes First)*		Percentage Of Dealer's Normal Charge Paid By Owner	
	Time in years*	Vehicle miles*	Parts	Labor
Basic	0-3 Years	Unlimited	No Charge	No Charge
Engine	0-3 Years	Unlimited	No Charge	No Charge
• Transmission	0-3 Years	Unlimited	No Charge	No Charge
• Drive Axle				
• Driveshaft				
• Front Axle I-Beam				
• Crossmembers				
• Flywheel Housing				
• Clutch Housing				
Frame Rails	0-3 Years	Unlimited	No Charge	No Charge
	3-5 Years	Unlimited	50%	50%
Engine Emissions Control System - Federal	0-5 Years	0-100,000	No Charge	No Charge
Tires	0-2 Years	0-24,000	No Charge	No Charge
Corrosion (Rust Through)	0-4 Years	Unlimited	No Charge	No Charge

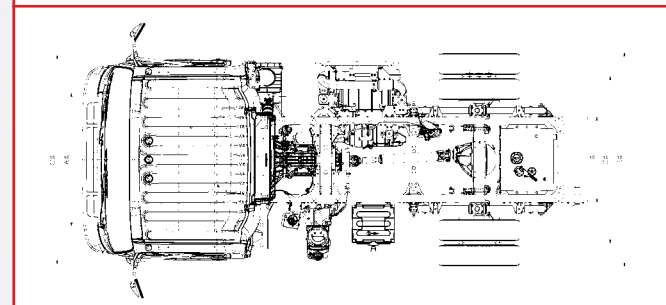
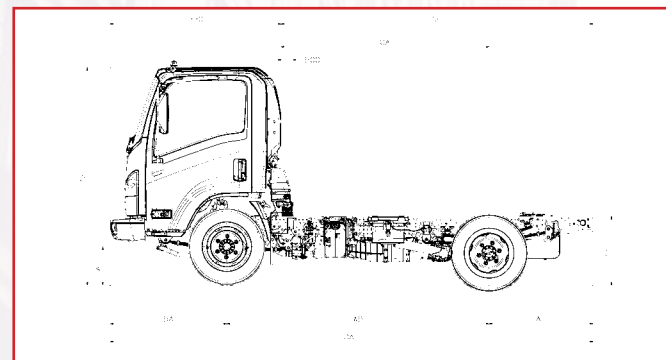
\* The warranty coverages are determined by the mileage of the vehicle and the number of years from the delivery date. See your authorized Isuzu dealer for warranty details.



# ISUZU NQR

## STANDARD CAB

<b>GVWR/GCWR</b>	17,950/23,950 lbs.
<b>BODY/PAYLOAD ALLOWANCE</b>	10,939-11,461 lbs.
<b>GAWR</b>	
Front	6,830 lbs.
Rear	12,980 lbs.
<b>FRONT AXLE CAPACITY</b>	6,830 lbs.
<b>REAR AXLE CAPACITY</b>	14,550 lbs.
Ratio	5.125
<b>SUSPENSION F/R SPRINGS</b>	Tapered/Multi-Leaf
Capacity	8,440/14,550 lbs.
<b>FRAME</b>	
Section Modulus	7.20 in. <sup>3</sup>
Resistance Bending Moment	316,800 lb.-ft./in.
<b>SERVICE BRAKES</b>	Hydraulic Boosted with 4-Channel ABS Disc/Drum
Front/Rear	
<b>EXHAUST BRAKE</b>	Standard
<b>TRANSMISSION</b>	Aisin A465 6-speed auto. with double overdrive and lock-up 2 <sup>nd</sup> -6 <sup>th</sup> gears
<b>ENGINE</b>	Isuzu 4HK1-TC turbocharged intercooled diesel
Displacement	5.2L (317 in. <sup>3</sup> )
Engine Power	215hp @ 2,500 rpm
Engine Torque	452 lb.-ft. @ 1,850 rpm
Oil Level Indicator	Dash-mounted oil level check switch and light
<b>LIMITED SLIP DIFFERENTIAL</b>	Optional
<b>ALTERNATOR</b>	140-amp
<b>BATTERIES</b>	2 Maintenance-Free 750-CCA
<b>TIRES LRR (Low Rolling Resistance)</b>	225/70R19.5F (12-pr) Standard
<b>STEERING</b>	Integral Hydraulic Power
<b>STEERING COLUMN</b>	Tilt and Telescopic
<b>FUEL TANK</b>	
Standard	30 Gal. in-rail
Optional	33 Gal. side mount (176" WB Only)
<b>FUEL/WATER SEPARATOR</b>	Dual fuel filter with dash mounted indicator light



Wheelbase (in.)	Cab to Axle (in.)	Cab to End of Frame (in.)	Back of Cab (in.)	Overall Length (in.)	Body Length (ft.)	Overall Width (in.)	Axle Width (in.)	Overall Height (in.)
109.0	86.5	129.6	7.7	200.5	10-12	81.3	65.6	92.4
132.5	110.0	153.1	7.7	224.0	14	81.3	65.6	92.4
150.0	127.5	170.6	7.7	241.5	16-18	81.3	65.6	92.4
176.0	153.5	196.6	7.7	267.5	18-20	81.3	65.6	92.4
200.0	177.5	220.6	7.7	291.5	22	81.3	65.6	92.4

### 2017 ISUZU N-SERIES DIESEL WARRANTY COVERAGE AT A GLANCE

Vehicle Coverage	Warranty Limitations (Time or Mileage, Whichever Comes First)*		Percentage Of Dealer's Normal Charge Paid By Owner	
	Time in years*	Vehicle miles*	Parts	Labor
Basic	0-3 Years	Unlimited	No Charge	No Charge
Engine	0-3 Years	Unlimited	No Charge	No Charge
• Transmission	0-3 Years	Unlimited	No Charge	No Charge
• Drive Axle				
• Driveshaft				
• Front Axle I-Beam				
• Crossmembers				
• Flywheel Housing	0-3 Years	Unlimited	No Charge	No Charge
• Clutch Housing				
Frame Rails	0-3 Years	Unlimited	No Charge	No Charge
	3-5 Years	Unlimited	50%	50%
Engine Emissions Control System - Federal	0-5 Years	0-100,000	No Charge	No Charge
Tires	0-2 Years	0-24,000	No Charge	No Charge
Corrosion (Rust Through)	0-4 Years	Unlimited	No Charge	No Charge

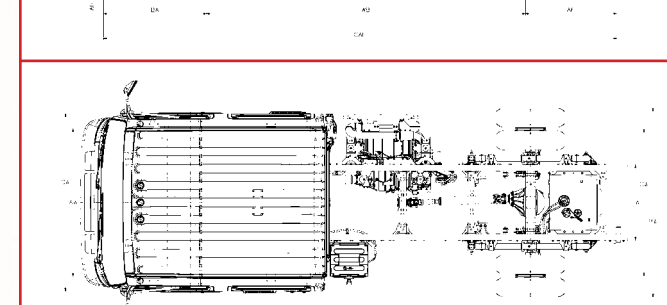
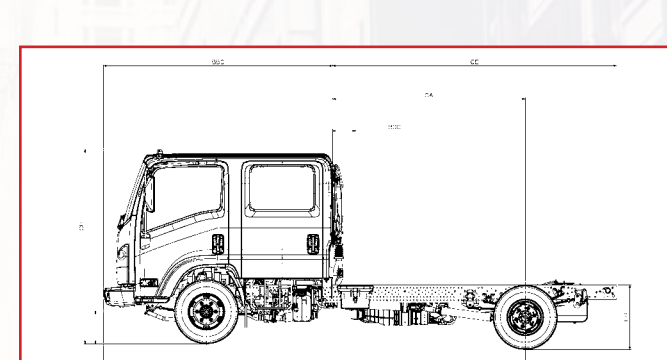
\* The warranty coverages are determined by the mileage of the vehicle and the number of years from the delivery date. See your authorized Isuzu dealer for warranty details.



# ISUZU NQR

## CREW CAB

<b>GVWR/GCWR</b>	17,950/23,950 lbs.
<b>BODY/PAYLOAD ALLOWANCE</b>	10,680-10,748 lbs.
<b>GAWR</b>	
Front	6,830 lbs.
Rear	12,980 lbs.
<b>FRONT AXLE CAPACITY</b>	6,830 lbs.
<b>REAR AXLE CAPACITY</b>	14,550 lbs.
Ratio	5.125
<b>SUSPENSION F/R SPRINGS</b>	Tapered/Multi-Leaf
Capacity	8,440/14,550 lbs.
<b>FRAME</b>	
Section Modulus	11.89 in. <sup>3</sup>
Resistance Bending Moment	523,160 lb.-ft./in.
<b>SERVICE BRAKES</b>	Hydraulic Boosted with 4-Channel ABS Disc/Drum
Front/Rear	
<b>EXHAUST BRAKE</b>	Standard
<b>TRANSMISSION</b>	Aisin A465 6-speed auto. with double overdrive and lock-up 2 <sup>nd</sup> -6 <sup>th</sup> gears
<b>ENGINE</b>	Isuzu 4HK1-TC turbocharged intercooled diesel
Displacement	5.2L (317 in. <sup>3</sup> )
Engine Power	215hp @ 2,500 rpm
Engine Torque	452 lb.-ft. @ 1,850 rpm
Oil Level Indicator	Dash-mounted oil level check switch and light
<b>LIMITED SLIP DIFFERENTIAL</b>	Optional
<b>ALTERNATOR</b>	140-amp
<b>BATTERIES</b>	2 Maintenance-Free 750-CCA
<b>TIRES LRR (Low Rolling Resistance)</b>	225/70R19.5F (12-pr) Standard
<b>STEERING</b>	Integral Hydraulic Power
<b>STEERING COLUMN</b>	Tilt and Telescopic
<b>FUEL TANK</b>	
Standard	30 Gal. in-rail
<b>FUEL/WATER SEPARATOR</b>	Dual fuel filter with dash mounted indicator light



Wheelbase (in.)	Cab to Axle (in.)	Cab to End of Frame (in.)	Back of Cab (in.)	Overall Length (in.)	Body Length (ft.)	Overall Width (in.)	Axle Width (in.)	Overall Height (in.)
150.0	88.5	131.6	5.3	241.5	12	81.3	65.6	92.4
176.0	114.5	157.6	5.3	267.5	16	81.3	65.6	92.4

### 2017 ISUZU N-SERIES DIESEL WARRANTY COVERAGE AT A GLANCE

Vehicle Coverage	Warranty Limitations (Time or Mileage, Whichever Comes First)*		Percentage Of Dealer's Normal Charge Paid By Owner	
	Time in years*	Vehicle miles*	Parts	Labor
Basic	0-3 Years	Unlimited	No Charge	No Charge
Engine	0-3 Years	Unlimited	No Charge	No Charge
• Transmission	0-3 Years	Unlimited	No Charge	No Charge
• Drive Axle				
• Driveshaft				
• Front Axle I-Beam				
• Crossmembers				
• Flywheel Housing	0-3 Years	Unlimited	No Charge	No Charge
• Clutch Housing				
Frame Rails	0-3 Years	Unlimited	No Charge	No Charge
	3-5 Years	Unlimited	50%	50%
Engine Emissions Control System - Federal	0-5 Years	0-100,000	No Charge	No Charge
Tires	0-2 Years	0-24,000	No Charge	No Charge
Corrosion (Rust Through)	0-4 Years	Unlimited	No Charge	No Charge

\* The warranty coverages are determined by the mileage of the vehicle and the number of years from the delivery date. See your authorized Isuzu dealer for warranty details.

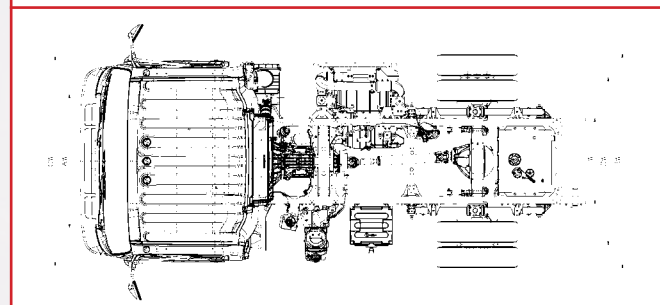
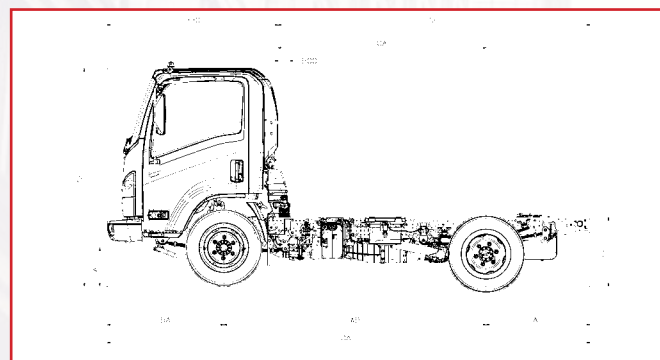


# ISUZU NRR

## STANDARD CAB

<b>GVWR/GCWR</b>	19,500/25,500 lbs.
<b>BODY/PAYLOAD ALLOWANCE</b>	12,294-12,875 lbs.
<b>GAWR</b>	
Front	7,275 lbs.
Rear	13,660 lbs.
<b>FRONT AXLE CAPACITY</b>	7,275 lbs.
<b>REAR AXLE CAPACITY</b>	14,550 lbs.
Ratio	5.571
<b>SUSPENSION F/R SPRINGS</b>	Tapered/Multi-Leaf
Capacity	8,440/14,550 lbs.
<b>FRAME</b>	
Section Modulus	7.20 in. <sup>3</sup>
Resistance Bending Moment	316,800 lb.-ft./in.
<b>SERVICE BRAKES</b>	Hydraulic Boosted with
Front/Rear	4-Channel ABS Disc/Drum
<b>EXHAUST BRAKE</b>	Standard
<b>TRANSMISSION</b>	Aisin A465 6-speed auto.
	with double overdrive
	and lock-up 2 <sup>nd</sup> -6 <sup>th</sup> gears
<b>ENGINE</b>	Isuzu 4HK1-TC turbocharged
	intercooled diesel
Displacement	5.2L (317 in. <sup>3</sup> )
Engine Power	215hp @ 2,500 rpm
Engine Torque	452 lb.-ft. @ 1,850 rpm
Oil Level Indicator	Dash-mounted oil level
	check switch and light
<b>LIMITED SLIP DIFFERENTIAL</b>	Optional
<b>ALTERNATOR</b>	140-amp
<b>BATTERIES</b>	2 Maintenance-Free
	750-CCA
<b>TIRES LRR (Low Rolling Resistance)</b>	225/70R19.5F (12-pr) Standard
<b>STEERING</b>	Integral Hydraulic Power
<b>STEERING COLUMN</b>	Tilt and Telescopic
<b>FUEL TANK</b>	
Standard	30 Gal. in-rail
Optional	33 Gal. side mount
	(176" WB Only)
<b>FUEL/WATER SEPARATOR</b>	Dual fuel filter with dash
	mounted indicator light

**DIESEL**



Wheelbase (in.)	Cab to Axle (in.)	Cab to End of Frame (in.)	Back of Cab (in.)	Overall Length (in.)	Body Length (ft.)	Overall Width (in.)	Axle Width (in.)	Overall Height (in.)
109.0	86.5	129.6	7.7	200.5	10-12	81.3	65.6	92.4
132.5	110.0	153.1	7.7	224.0	14	81.3	65.6	92.4
150.0	127.5	170.6	7.7	241.5	16-18	81.3	65.6	92.4
176.0	153.5	196.6	7.7	267.5	18-20	81.3	65.6	92.4
200.0	177.5	220.6	7.7	291.5	22	81.3	65.6	92.4
212.0	189.5	232.6	7.7	303.5	24	81.3	65.6	92.4

### 2017 ISUZU N-SERIES DIESEL WARRANTY COVERAGE AT A GLANCE

Vehicle Coverage	Warranty Limitations (Time or Mileage, Whichever Comes First)*		Percentage Of Dealer's Normal Charge Paid By Owner	
	Time in years*	Vehicle miles*	Parts	Labor
Basic Engine	0-3 Years	Unlimited	No Charge	No Charge
• Transmission	0-3 Years	Unlimited	No Charge	No Charge
• Drive Axle				
• Driveshaft	0-3 Years	Unlimited	No Charge	No Charge
• Front Axle I-Beam				
• Crossmembers				
• Flywheel Housing				
• Clutch Housing				
Frame Rails	0-3 Years	Unlimited	No Charge	No Charge
	3-5 Years	Unlimited	50%	50%
Engine Emissions Control System - Federal	0-5 Years	0-100,000	No Charge	No Charge
Tires	0-2 Years	0-24,000	No Charge	No Charge
Corrosion (Rust Through)	0-4 Years	Unlimited	No Charge	No Charge

\* The warranty coverages are determined by the mileage of the vehicle and the number of years from the delivery date. See your authorized Isuzu dealer for warranty details.



# ISUZU NRR



## BENEFITS OF THE ISUZU LOW CAB FORWARD DESIGN: Compared to conventional cab trucks, vans and cutaways, the Isuzu Low Cab Forward design delivers:

- More cargo space available for body
- Easier access to the engine compartment with the Isuzu tilt cab design
- Remarkable maneuverability with 49.5 degree wheel cut angle for tighter turning
- Driver-friendly entry and exit with 85 degree door swing, grab handles, and entry step
- Outstanding driver visibility, see the ground within 8 ft. in front of truck
- High rigidity cab for collision safety
- Durable and dependable
- Better fuel economy
- GVWR range from 12,000 lbs. to 19,500 lbs.
- Chassis configurations to handle bodies 10 to 24 feet
- Multiple engine options: two diesel and one gas with CNG/LPG capability
- Lower cost of ownership

Learn more at your local Isuzu truck dealer.